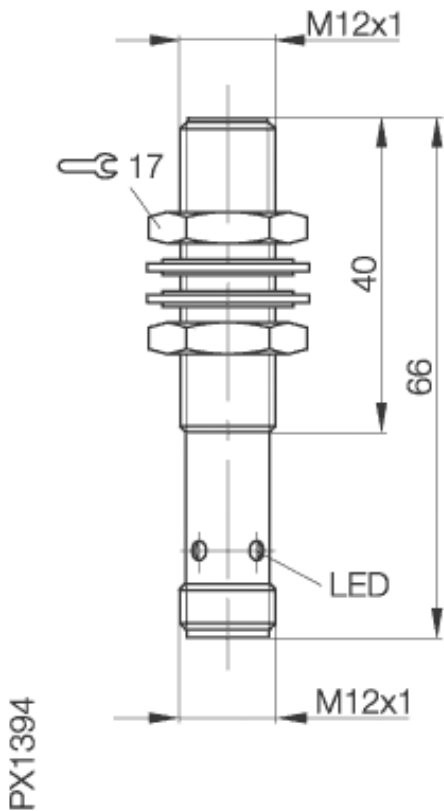


**Inductive Sensors**  
**BES M12EL-PSC20B-S04G-M01**  
**M12x1 x 66**  
**normally-open**  
**Sn=2mm**  
**shielded**



**Common Data**

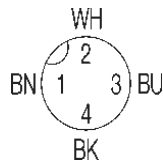
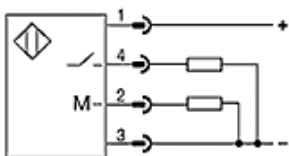
Product name	Desina diagnostics shielded
Mounting in steel	2mm
Rated operating distance Sn	0...1.6mm
Assured operating distance Sa	≤ 5%
Repeatability R	≤ 15%
Hysteresis	yes
Function indication	-25...+70°C
Ambient temperature range	3
Polution Degree	≤ 10ms
Time delay before availability	

**Mechanical Data**

Measurements BxHxT or DxT	M12x1 x 66mm
Housing material	1.4305
Material of sensing face	LCP
Degree of protection	IP68 acc. BWN Pr 20IP
Connection	Connector S4 (M12)
Schock: Halbsinus, 30 gn, 11ms	
Vibration: 55 Hz, 1mm Amplitude, 3 x 30 Minutes	

**Electrical Data**

Current type	DC
Wiring	3-Wire
switching function	normally-open
Output signal	PNP
Rated operational voltage	24 DCV
Rated operational current	200mA
Supply voltage	10...30 DCV
Ripple	≤ 15%
max. switching frequency	800Hz
Minimum operational current	3mA
No-load supply current	8/6mA
Off-state current	80µA
Voltage drop	≤ 3.5/-V
Short circuit protection	yes
Protected against polarity reversal	yes



**Remarks**

60bar at the active surface



Utilization categories  
 Insulation class

DC 13  
 II

Datasheet number:

Definitions see general catalog.  
 If not otherwise noted, ratings according to IEC 60947-5-2 (DIN EN60947-5-2)

Balluff GmbH  
 Schurwaldstrasse 9  
 73765 Neuhausen a.d.F.  
 Phone (07158) 173-0 Fax (07158) 5010

Datenblatt by CD-ROM - 04/2007

